

# Swinging ventilation systems



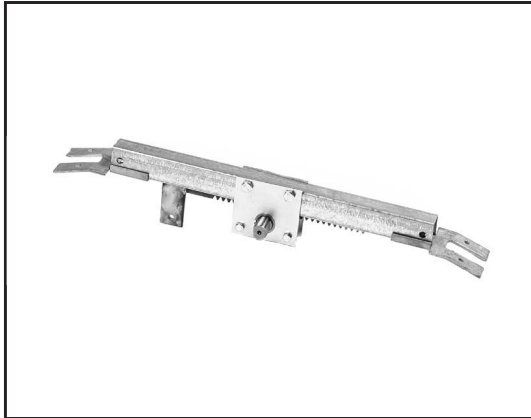
# 3

## SWINGING VENTILATION



### 3.2

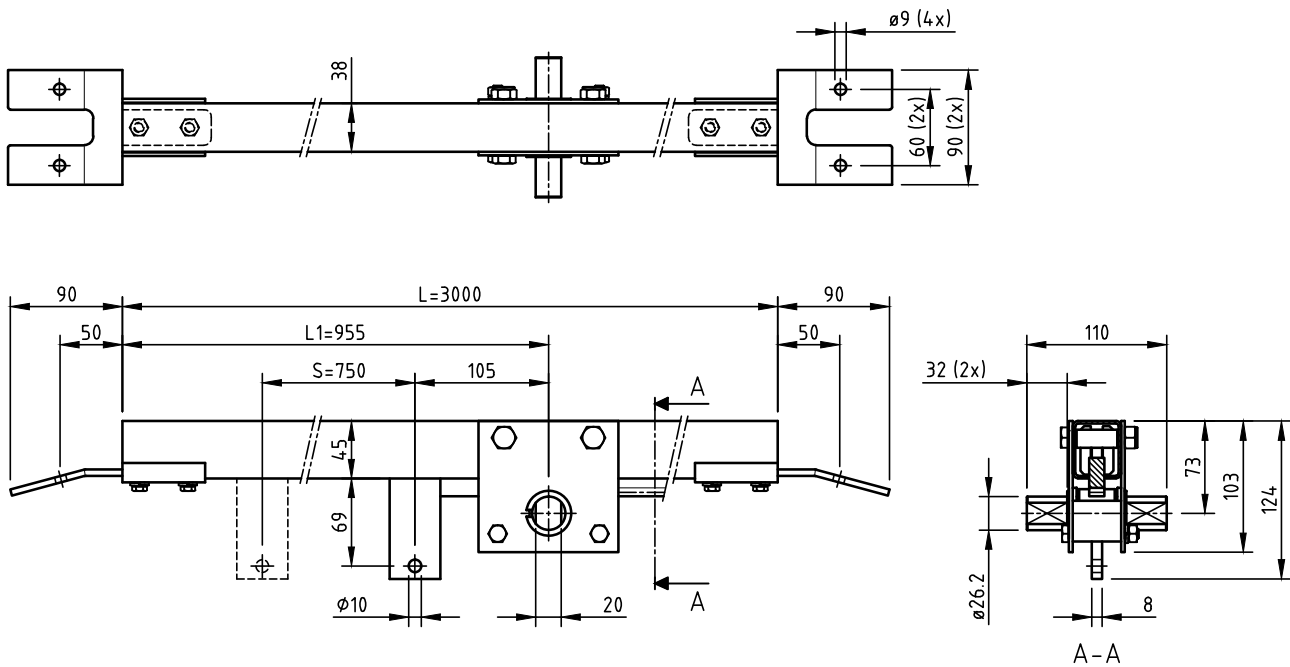
## THG10S WITH GUTTER FORK



The THG10S is a rack box specially developed for swinging ventilation systems in Venlo greenhouses. The rack box is driven by a GW motor gearbox and drives the swing tube by means of a gear rack.

The THG10S is hung from the gutters (bay measurement 3200 mm) by means of gutter forks. The rack stroke is 750 mm.

The THG10S can also be supplied with brackets. The entry shaft of the gearcase can be connected with the 1" or 5/4" drive tubes by means of sleeve joint chain coupling sets or sleeve joint couplings.

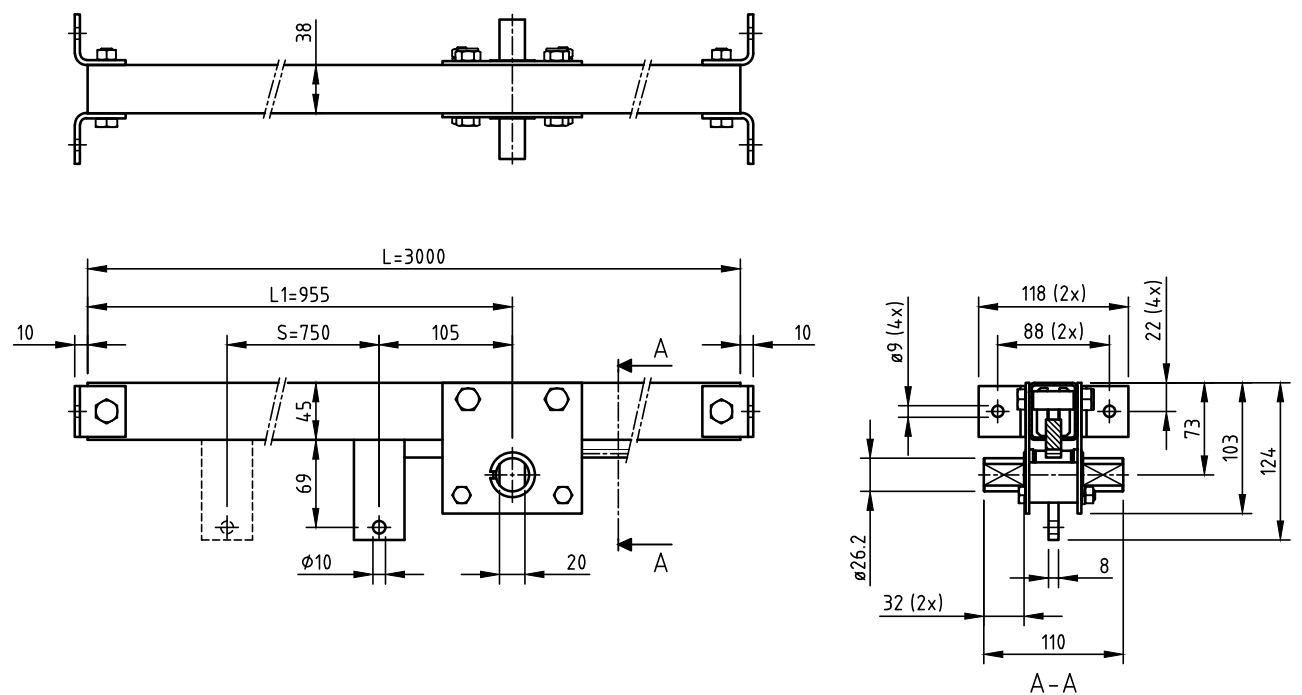


Description	F [N]	T [Nm]	i [-]	S [mm]	L [mm]	L1 [mm]	s [mm/rev]	n [rev]	m [kg]	Article number
THG10S, bay 3200 mm	2200	36.66	1	750	3000	955	94.25	8	10.5	P.THG10S.32.S750

The THG10S is a rack box specially developed for swinging ventilation systems in Venlo greenhouses. The rack box is driven by a GW motor gearbox and drives the swing tube by means of a gear rack.

The THG10S is hung from the gutters (bay measurement 3200 mm) by means of brackets. The rack stroke is 750 mm.

The THG10S can also be supplied with gutter forks. The entry shaft of the gearcase can be connected with the 1" or 5/4" drive tubes by means of sleeve joint chain coupling sets or sleeve joint couplings.



Description	F [N]	T [Nm]	i [-]	S [mm]	L [mm]	L1 [mm]	s [mm/rev]	n [rev]	m [kg]	Article number
THG10S, bay 3200 mm	2200	36.66	1	750	3000	955	94.25	8	10.5	P.THG10S.32.S750.BL

# 3

## SWINGING VENTILATION



### 3.4

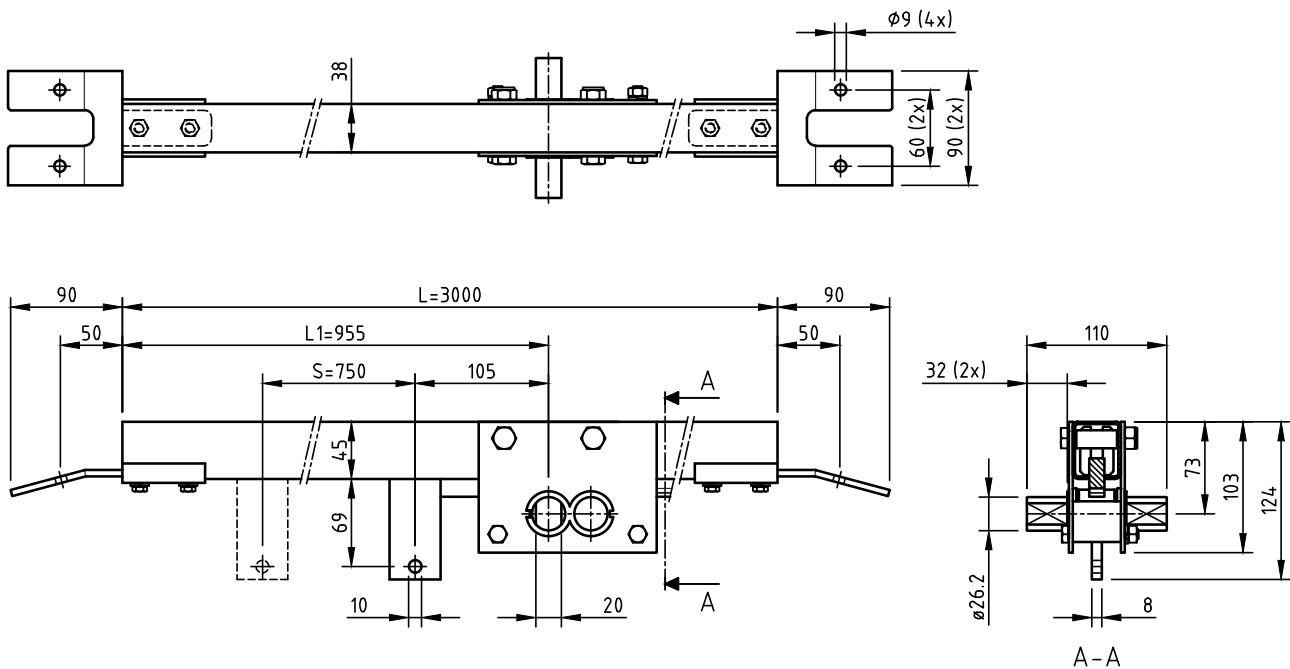
## THG10SC (CONTRA) GUTTER FORK



The THG10SC is a rack-and-pinion drive specially developed for swinging ventilation systems in Venlo greenhouses. The gear rack of the THG10SC operates in the opposite direction to that of the THG10S. This makes it possible to use one GW motor gearbox to drive the ventilation windows on either side of the ridge.

The THG10SC is hung from the gutters (bay measurement 3200 mm) by means of gutter forks. The stroke of the gear rack is 750 mm.

Brackets, instead of gutter forks, can also be supplied. The entry shaft of the gearcase can be connected with the 1" or 5/4" drive tubes by means of sleeve joint chain coupling sets or sleeve joint couplings.

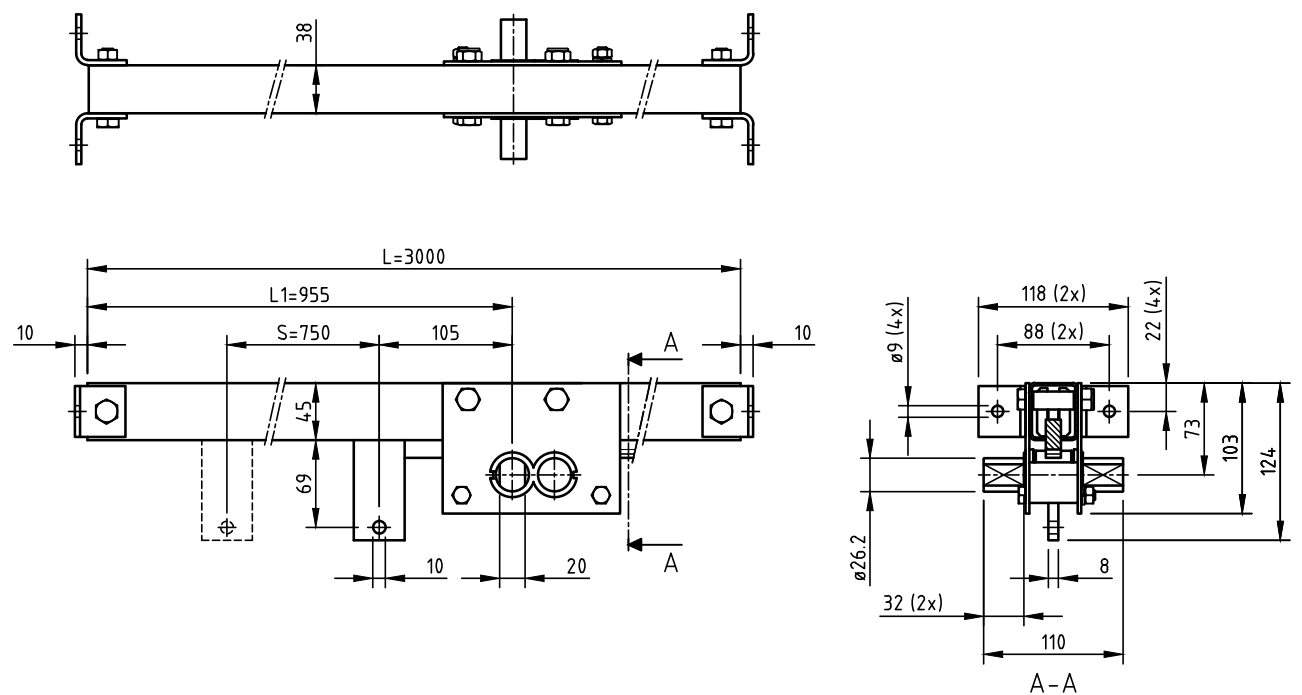


Description	F [N]	T [Nm]	i [-]	S [mm]	L [mm]	L1 [mm]	s [mm/rev]	n [rev]	m [kg]	Article number
THG10SC, bay 3200 mm	2200	36.66	1	750	3000	955	94.25	8	11	P.THG10SC.32.S750

The THG10SC is a rack-and-pinion drive specially developed for swinging ventilation systems in Venlo greenhouses. The gear rack of the THG10SC operates in the opposite direction to that of the THG10S. This makes it possible to use one GW motor gearbox to drive the ventilation windows on either side of the ridge.

The THG10SC is hung from the gutters (bay measurement 3200 mm) by means of brackets. The stroke of the gear rack is 750 mm.

Gutter forks, instead of brackets, are also available. The entry shaft of the gearcase can be connected with the 1" or 5/4" drive tubes by means of sleeve joint chain coupling sets or sleeve joint couplings.



Description	F [N]	T [Nm]	i [-]	S [mm]	L [mm]	L1 [mm]	s [mm/rev]	n [rev]	m [kg]	Article number
THG10SC, bay 3200 mm	2200	36.66	1	750	3000	955	94.25	8	11	P.THG10SC.32.S750.BL

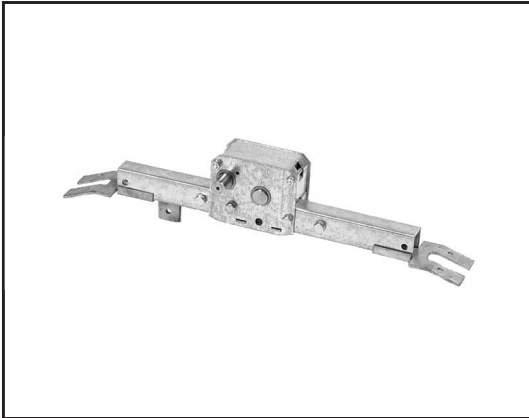
# 3

## SWINGING VENTILATION



### 3.6

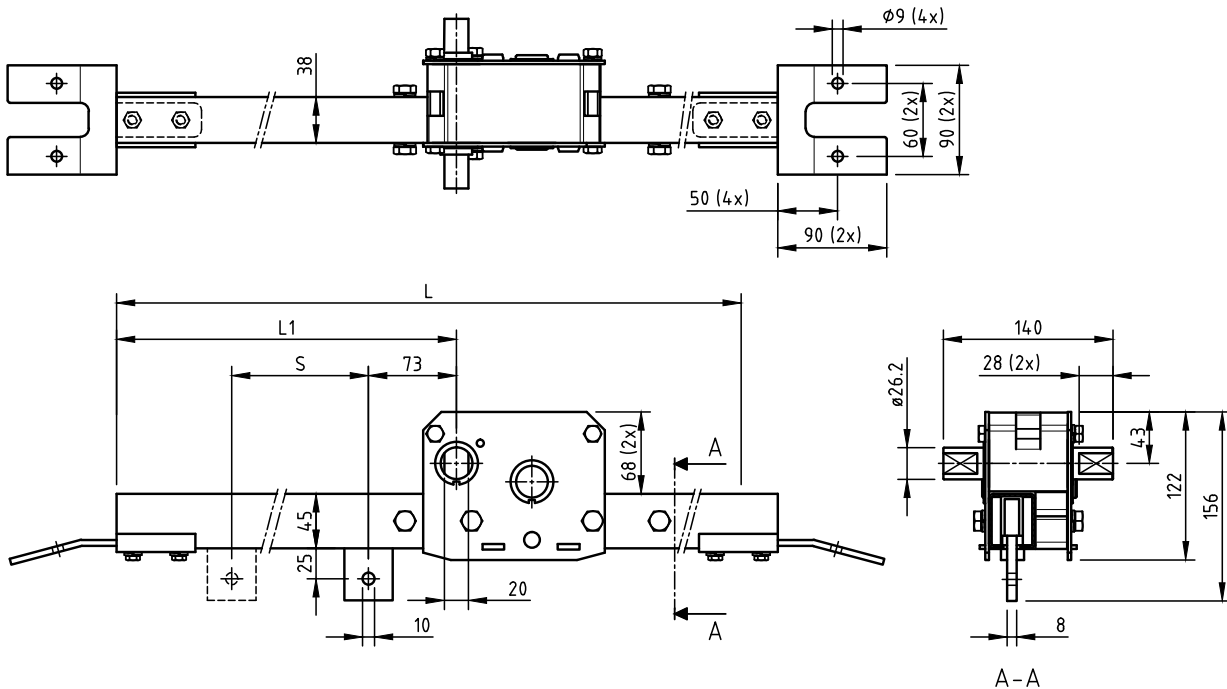
## THG24S WITH GUTTER FORK



The THG24S is a rack box specially developed for swinging ventilation systems in Venlo greenhouses. The rack box is driven by a GW motor gearbox and drives the swing tube by means of a gear rack.

The THG24S is hung from the gutters (bay measurement 3200 mm or 4000 mm) by means of gutter forks. The stroke of the gear rack is 750 mm or 900 mm.

Brackets, instead of gutter forks, can also be supplied. The entry shaft of the gearcase can be connected with the 1" or 5/4" drive tubes by means of sleeve joint chain coupling sets or sleeve joint couplings.

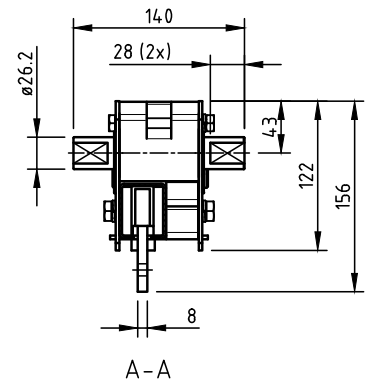
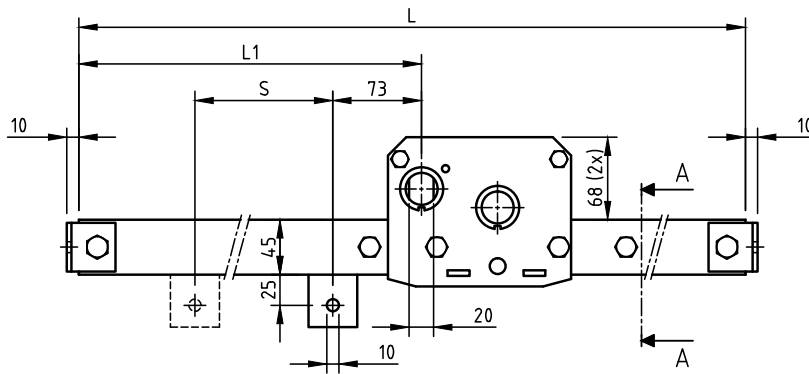
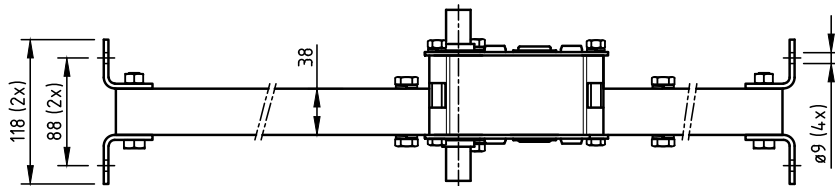
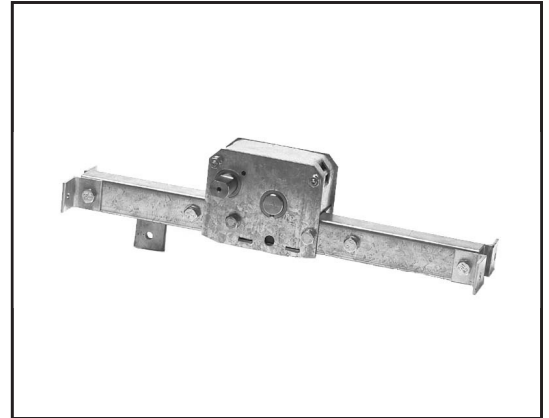


Description	F [N]	T [Nm]	i [-]	S [mm]	L [mm]	L1 [mm]	s [mm/rev]	n [rev]	m [kg]	Article number
THG24S, bay 3200 mm	2400	17.36	2.76	750	3000	955	40.91	19	14.5	P.THG24S.32.S750
THG24S, bay 3200 mm	2400	17.36	2.76	900	3000	1105	40.91	22	16.5	P.THG24S.32.S900
THG24S, bay 4000 mm	2400	17.36	2.76	750	3800	955	40.91	19	17.0	P.THG24S.40.S750
THG24S, bay 4000 mm	2400	17.36	2.76	900	3800	1105	40.91	22	19.0	P.THG24S.40.S900

The THG24S is a rack box specially developed for swinging ventilation systems in Venlo greenhouses. The rack box is driven by a GW motor gearbox and drives the swing tube by means of a gear rack.

The THG24S is hung from the gutters (bay measurement 3200 mm or 4000 mm) by means of two brackets. The stroke of the gear rack is 750 mm or 900 mm.

Gutter forks, instead of brackets, can also be supplied. The entry shaft of the gearcase can be connected with the 1" or 5/4" drive tubes by means of sleeve joint chain coupling sets or sleeve joint couplings.



Description	F [N]	T [Nm]	i [-]	S [mm]	L [mm]	L1 [mm]	s [mm/rev]	n [rev]	m [kg]	Article number
THG24S, bay 3200 mm	2400	17.36	2.76	750	3000	955	40.91	19	14.5	P.THG24S.32.S750.BL
THG24S, bay 3200 mm	2400	17.36	2.76	900	3000	1105	40.91	22	16.5	P.THG24S.32.S900.BL
THG24S, bay 4000 mm	2400	17.36	2.76	750	3800	955	40.91	19	17.0	P.THG24S.40.S750.BL
THG24S, bay 4000 mm	2400	17.36	2.76	900	3800	1105	40.91	22	19.0	P.THG24S.40.S900.BL

# 3

## SWINGING VENTILATION



### 3.8

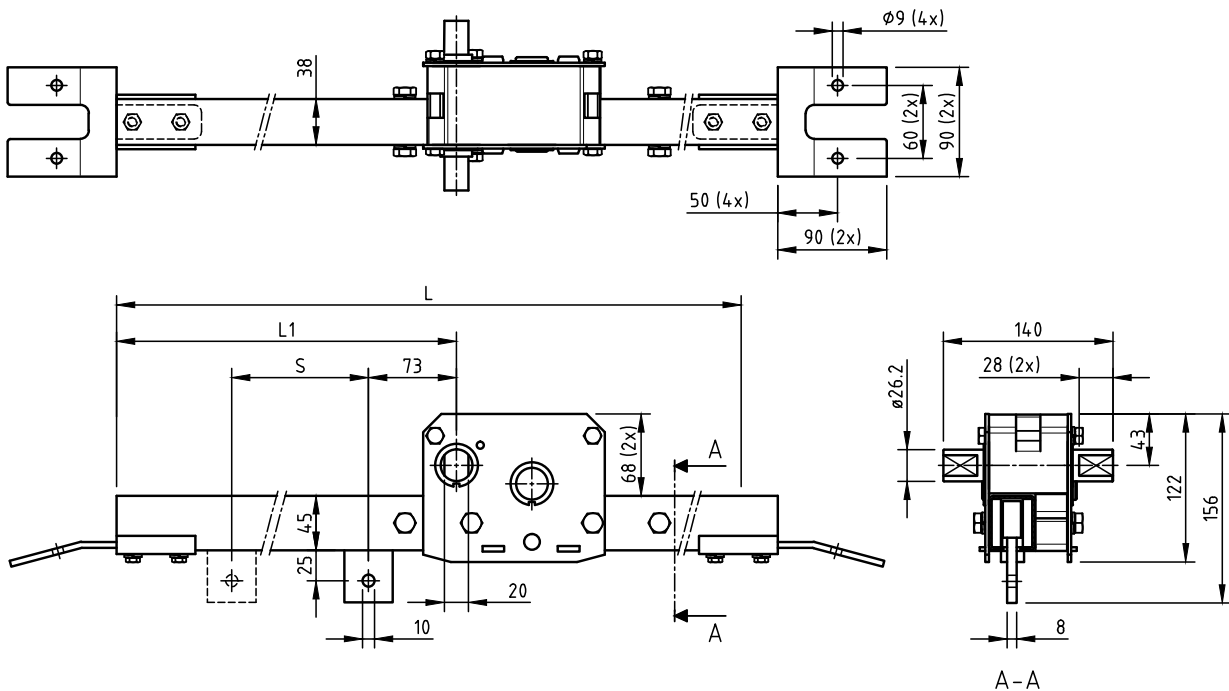
## THG49S WITH GUTTER FORK



The THG49S is a rack box specially developed for swinging ventilation systems in Venlo greenhouses. The rack box is driven by a GW motor gearbox and drives the swing tube by means of a gear rack.

The THG49S is hung from the gutters (bay measurement 3200 mm or 4000 mm) by means of gutter forks. The rack stroke is 750 mm or 900 mm.

Brackets, instead of gutter forks, can also be supplied. The entry shaft of the gearcase can be connected with the 1" or 5/4" drive tubes by means of sleeve joint chain coupling sets or sleeve joint couplings.



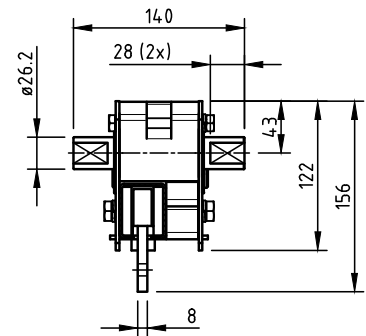
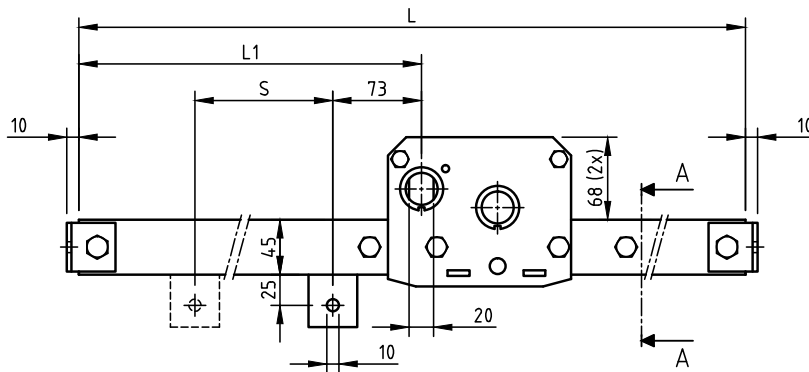
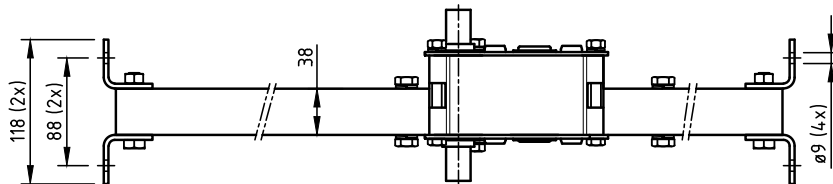
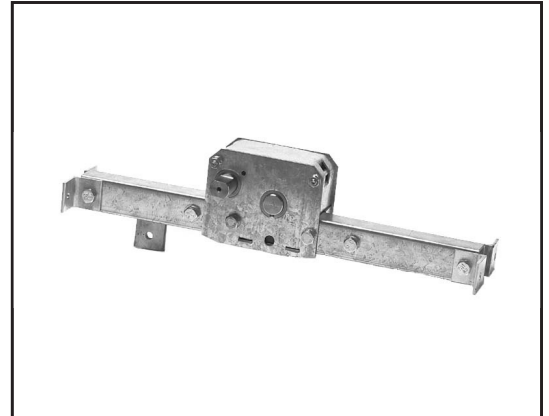
Description	F [N]	T [Nm]	i [-]	S [mm]	L [mm]	L1 [mm]	s [mm/rev]	n [rev]	m [kg]	Article number
THG49S, bay 3200 mm	4200	25.32	2.76	750	3000	955	34.09	22	15.0	P.THG49S.32.S750
THG49S, bay 3200 mm	4200	25.32	2.76	900	3000	1105	34.09	27	17.0	P.THG49S.32.S900
THG49S, bay 4000 mm	4200	25.32	2.76	750	3800	955	34.09	22	17.5	P.THG49S.40.S750
THG49S, bay 4000 mm	4200	25.32	2.76	900	3800	1105	34.09	27	19.5	P.THG49S.40.S900



The THG49S is a rack box specially developed for swinging ventilation systems in Venlo greenhouses. The rack box is driven by a GW motor gearbox and drives the swing tube by means of a gear rack.

The THG49S is attached to the gutter by means of two brackets. Depending on the length, the rack box is suitable for bay sizes 3200 mm or 4000 mm. The rack stroke is 750 mm or 900 mm.

Gutter forks, instead of brackets, can also be supplied. The entry shaft of the gearcase can be connected to the 1" or 5/4" drive tubes by means of sleeve joint chain coupling sets or sleeve joint couplings.



Description	F [N]	T [Nm]	i [-]	S [mm]	L [mm]	L1 [mm]	s [mm/rev]	n [rev]	m [kg]	Article number
THG49S, bay 3200 mm	4200	25.32	2.76	750	3000	955	34.09	22	15.0	P.THG49S.32.S750.BL
THG49S, bay 3200 mm	4200	25.32	2.76	900	3000	1105	34.09	27	17.0	P.THG49S.32.S900.BL
THG49S, bay 4000 mm	4200	25.32	2.76	750	3800	955	34.09	22	17.5	P.THG49S.40.S750.BL
THG49S, bay 4000 mm	4200	25.32	2.76	900	3800	1105	34.09	27	19.5	P.THG49S.40.S900.BL

# 3

## SWINGING VENTILATION



### 3.10

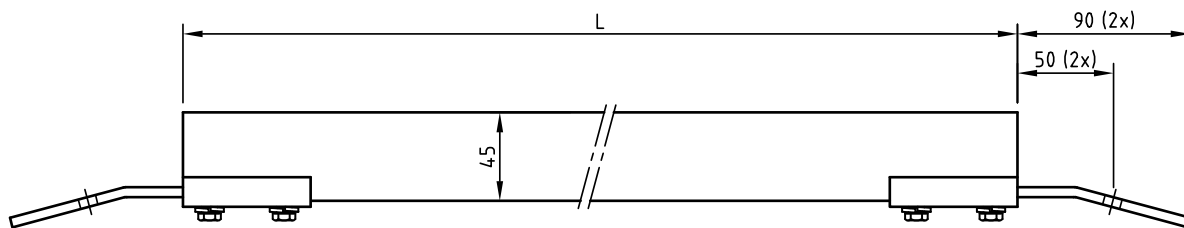
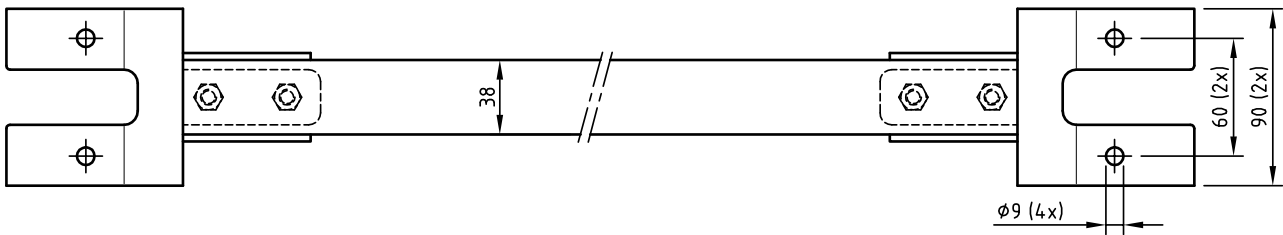
## AUX. C-SECTION GUTTER FORK



The auxiliary C-section is used, among other applications, as a support section for mounting the motor bracket in swinging ventilation systems.

The galvanised auxiliary C-section is attached to the gutter by means of two gutter forks. Depending on the length, the C-section is suitable for bay sizes 3200 mm or 4000 mm.

The auxiliary C-section can also be supplied with brackets. Other lengths are available to order.

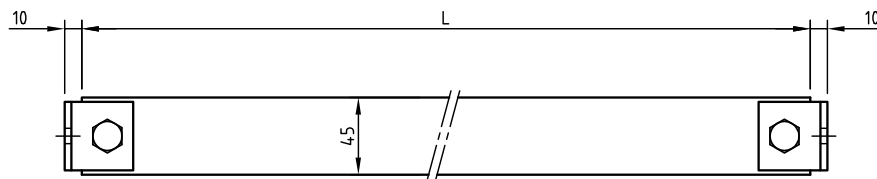
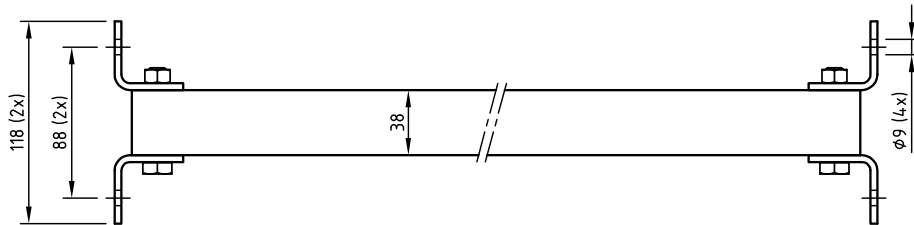
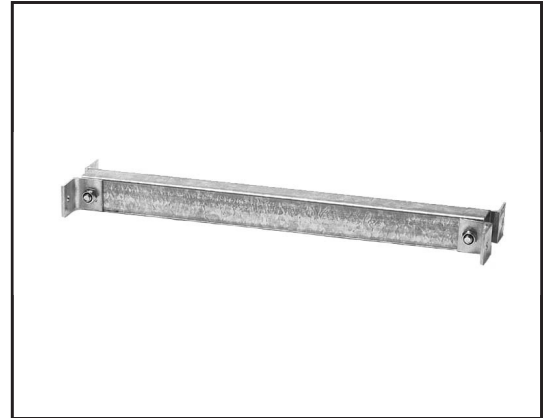


Description	L [mm]	m [kg]	Article number
Auxiliary C-section, bay size 3200 mm	3000	7.5	P.THG.HCP.32
Auxiliary C-section, bay size 4000 mm	3810	9.0	P.THG.HCP.40

The auxiliary C-section is used, among other applications, as a support section for mounting the motor bracket in swinging ventilation systems.

The galvanised auxiliary C-section is attached to the gutter by means of two brackets. Depending on the length, the C-section is suitable for bay sizes 3200 mm or 4000 mm.

The auxiliary C-section can also be supplied with gutter forks. Other lengths are available to order.



Description	L [mm]	m [kg]	Article number
Auxiliary C-section, bay size 3200 mm	3000	7.5	P.THG.HCP.32.BL
Auxiliary C-section, bay size 4000 mm	3810	9.0	P.THG.HCP.40.BL

# 3

## SWINGING VENTILATION



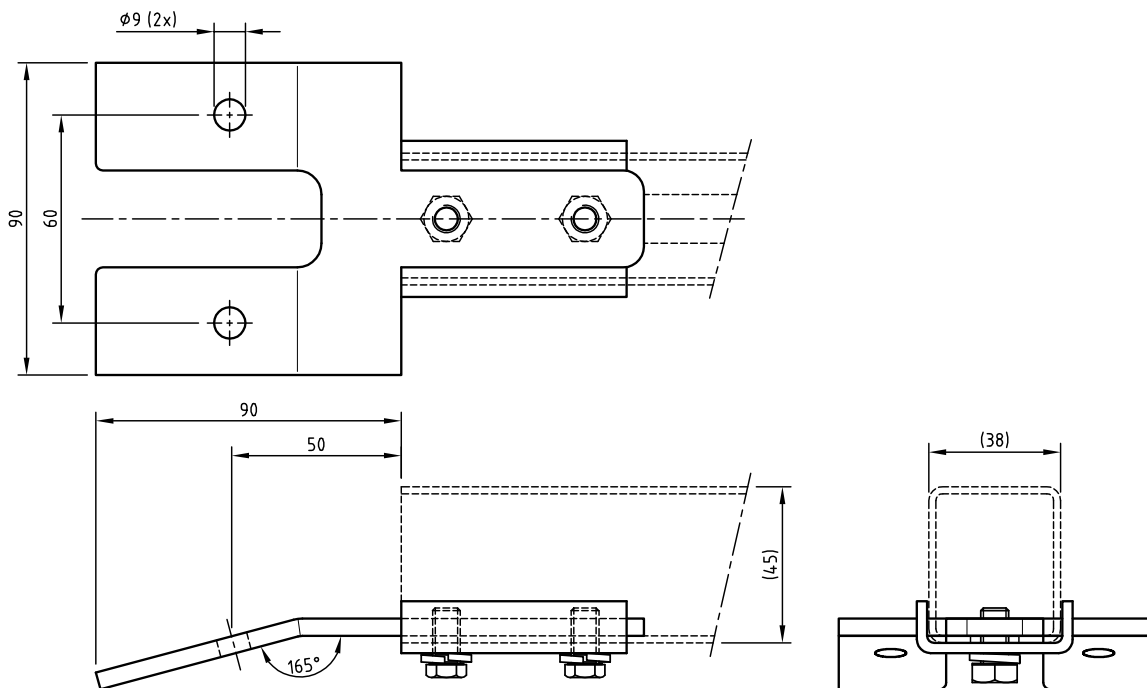
### 3.12

## GUTTER FORK



Rack boxes for swinging ventilation systems and auxiliary C-sections can be hung from the gutters by means of gutter forks.

The galvanized gutter fork has to be attached to the 38 x 45 x 12 x2 mm C-section by means of two stud bolts M8 x 16.



Description	m [g]	Article number
Gutter fork	445	P.GVK